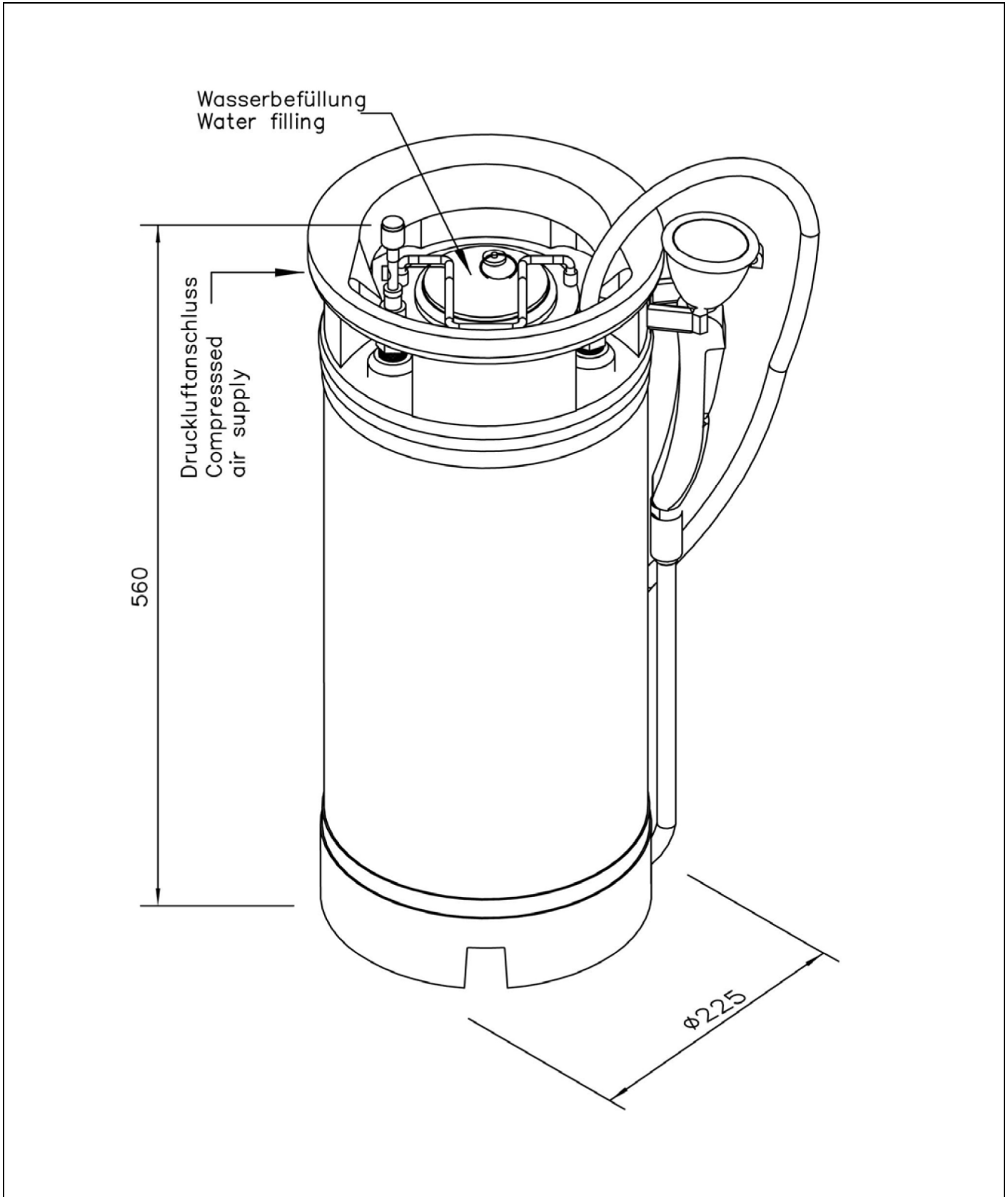


BR 958 005

ClassicLine tank eyewash station with stainless steel tank



Technical description

ClassicLine tank eyewash station with stainless steel tank

- tank of stainless steel, with a capacity of 16 litres
- water inlet via large flap lid on the tank, compressed air connection tyre inflation valve
- for mobile use or when no water connection is available
- actuation by activation of the hand-held eye shower
- hand-held eye shower with one spray head, mounting by wall bracket on the tank
- ergonomically shaped handle with integrated, adjusting activation made of plastics, valve not self-closing
- aerators made of brass with a very limited spray pattern, chrome-plated
- integrated automatic flow regulator 7 litres / minute (1.7 litres / minute / 0.45 GPM) for a standard-compliant spray pattern
- integrated backflow preventer
- stainless steel covered hose, length 1.5 meter, water inlet 1/2" female, DIN-DVGW tested and certificated
- sign for eye shower according to EN ISO 7010 und ASR A1.3 mounted on the tank, self-adhesive PVC-film, 150 x 150 mm, viewing distance 15 metre
- dimensions (H x W x D): 560 x 225 x 225 mm
- according to ANSI Z358.1-2014 and EN 15154-4:2009

Manufacturer: B-SAFETY or equal
 Article-No.: BR 958 005

Technical specifications

Dimensions (H x W):	560 x 225 mm
Tank capacity:	60 litre
Minimum filling pressure:	7 bar
Flow rate:	7 litre / minute or 1.7 litres / minute / 0.45 GPM
Flush time:	about 2 minutes
Water filling:	Flap lid
Compressed air connection	Tyre inflation valve

Norm conformity

- EN 15154-4:2009
 - ANSI Z358.1-2014


Approvals

- GOST-R, Zertifikats-Nr. 0615463

Product overview

BR 958 005	ClassicLine tank eyewash station with stainless steel tank Flow rate 7 l/min - Flush time about 2 minutes
BR 958 005 / 1L	ClassicLine tank eyewash station with stainless steel tank Flow rate 1.7 l/min (0.45 GPM) - Flush time about 10 minutes

Accessories for Tank-Eyewash Stations

Product overview	Model	Dimensions (H x W x D)	Capacity	Article-No.
	<p>Antibacterial addition for tank eyewash stations and tank safety showers. Disinfects and preserves water for up to 6 months, dosing: 10 ml to 100 litres water.</p>	<p>-</p>	<p>100 ml</p>	<p>BR 910 980</p>