



B-SAFETY[®]
PROFESSIONAL SAFETY SOLUTIONS

Article No.:

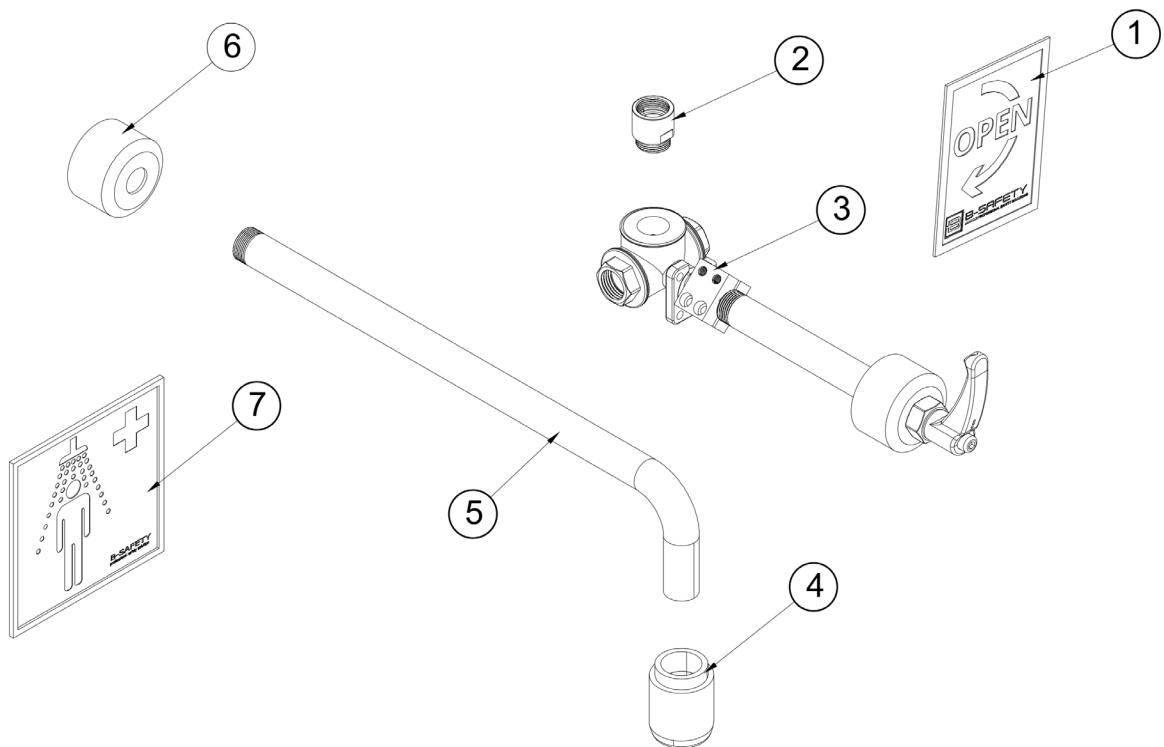
BR 885 085D

REV / DATE :

07/25

Description:

ClassicLine frostprotected self-draining body safety shower, actuation by 3-way ball valve, wall mounted



Part No.	Article No.	Quantity	Description	Material	Weight
1	F2121	1	'OPEN' sign, orange 104 x 75 mm	Plastic, self-adhesive	0.01 kg
2	BR 014 4XX	1	Flow regulator BR014450 = 50 l/min (red) or BR014475 = 75 l/min (brown)	Stainless steel AISI 304, POM Hostaform	0.07 kg
3	F137-FSE	1	3-way ball valve with handle and spindle extension	Brass, CW617N, PTFE, Zinc die casting, stainless steel AISI 303	3.12 kg
4	BR 010 365	1	High-performance shower head, black	POM Hostaform C13021	0.10 kg
5	F81101	1	Bent pipe, green	Stainless steel AISI 304	0.94 kg
6	F81401-GR	1	Push-On rosette, green	Polypropylene (PP)	0.02 kg
7	SND150-F	1	Emergency sign for safety showers, E012, 150 x 150 mm	PVC film, self-adhesive	0.01 kg