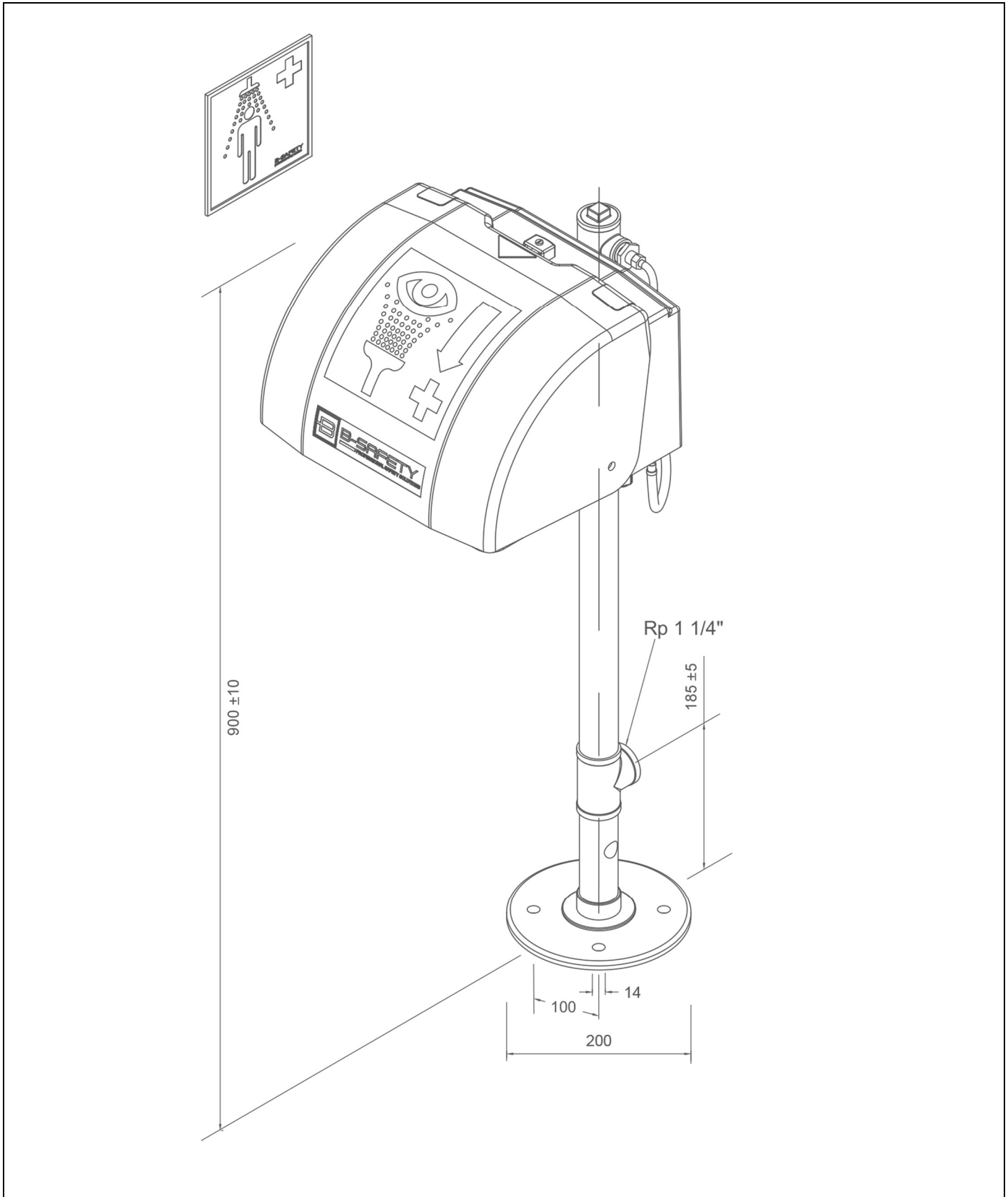


BR 852 085

ClassicLine eye-/face wash unit with bowl and lid, floor mounted



Technical description

ClassicLine eye-/face wash unit with bowl and lid, floor mounted

- base plate with 4 mounting holes of stainless steel, chemical resistant green powder coated, dimensions 200 x 200 mm
- stand pipe 1 ¼" of stainless steel, chemical resistant green powder coated, with top and bottom water inlet 1 ¼" female, total height 1025 mm
- housing, lid and bowl made of UV and impact resistant ABS plastics, water outlet 1 ½" male
- integrated protective cover against dust
- actuation by pulling down the lid
- ball valve 3/8" of brass, with lever actuation by lid, DIN-DVGW tested and certificated
- aerators made of brass with a very limited spray pattern, chrome-plated
- with integrated flow regulation valve 3/8" for setting the desired spray height and flow rate, water inlet 3/8" male
- inclusive sign for eye shower according to EN ISO 7010 und ASR A1.3 on the lid, dimensions 170 x 170 mm, viewing distance 17 metre
- height 1025 mm, width 350 mm, depth 355 mm
- mounting height (lower edge) 910 mm (± 200 mm)
- according to BGI/GUV-I 850-0, DIN 1988 and EN 1717
- according to ANSI Z358.1-2014 and EN 15154-2:2006
- DIN-DVGW tested and certificated

Manufacturer: B-SAFETY or equal
 Article-No.: BR 852 085

Technical specifications

| | |
|------------------------|--------------|
| Minimum flow pressure: | 2.5 bar |
| Operating pressure: | 2.5 to 5 bar |
| Flow rate: | 14-20 l/min |
| Water inlet: | 1 ¼" female |
| Water outlet: | 1 ½" male |

Norm conformity

- EN 15154-2:2006
- ANSI Z358.1-2014

Approvals

- DIN-DVGW, NW-0417CL0263
- GOST-R, Zertifikats-Nr. 0615463

Material overview

Material

Material description






| | | |
|----------------------------|----------------------|----------|
| Aerators: | brass, chrome-plated | CW617N |
| Flow regulator: | brass, chrome-plated | CW617N |
| Housing: | plastic ABS | - |
| Protective dust caps: | plastic ABS | - |
| Ball valve: | brass | CW617N |
| Piping, T-pieces, adapter: | stainless steel | AISI 304 |
| Base plate: | stainless steel | AISI 201 |
| Sign for eye shower: | PVC-foil | - |

Product overview

| | |
|-------------------|--|
| BR 852 085 | ClassicLine eye-/face wash unit with bowl and lid, floor mounted |
|-------------------|--|



Accessories for safety eye-face showers

| Product overview | Model | Material | Water inlet | Water outlet | Article-No. |
|--|--|-----------------|-----------------------|-----------------------|-------------------|
|  | Maintenance ball valve for safety showers with removable trigger lever. | stainless steel | 1 1/4" female | 1 1/4" female | BR 830 950 |
|  | Foot lever actuation for eye showers, in addition to the standard actuation. | plastic | - | - | BR 870 371 |
|  | Thermostatic mixing valve for eye showers and safety showers, adjustment range 20 - 43°C, scald protection 43°C, flow rate 60 l/min at 2 bar flow pressure. | brass | 3/4" male and 1" male | 3/4" male and 1" male | BR 710 950 |
|  | Flow switch for eye showers and safety showers, protection degree IP 65, electrical supply with 1.5 m cable. | brass | 1 1/4" female | 1 1/4" female | BR 710 860 |
|  | Alarm system for eye showers & safety showers with siren-/flashlight combination. Prewired junction box inclusive electronic switch. Electrical supply: 230 V - 50 Hz | - | - | - | BR 015 800 |