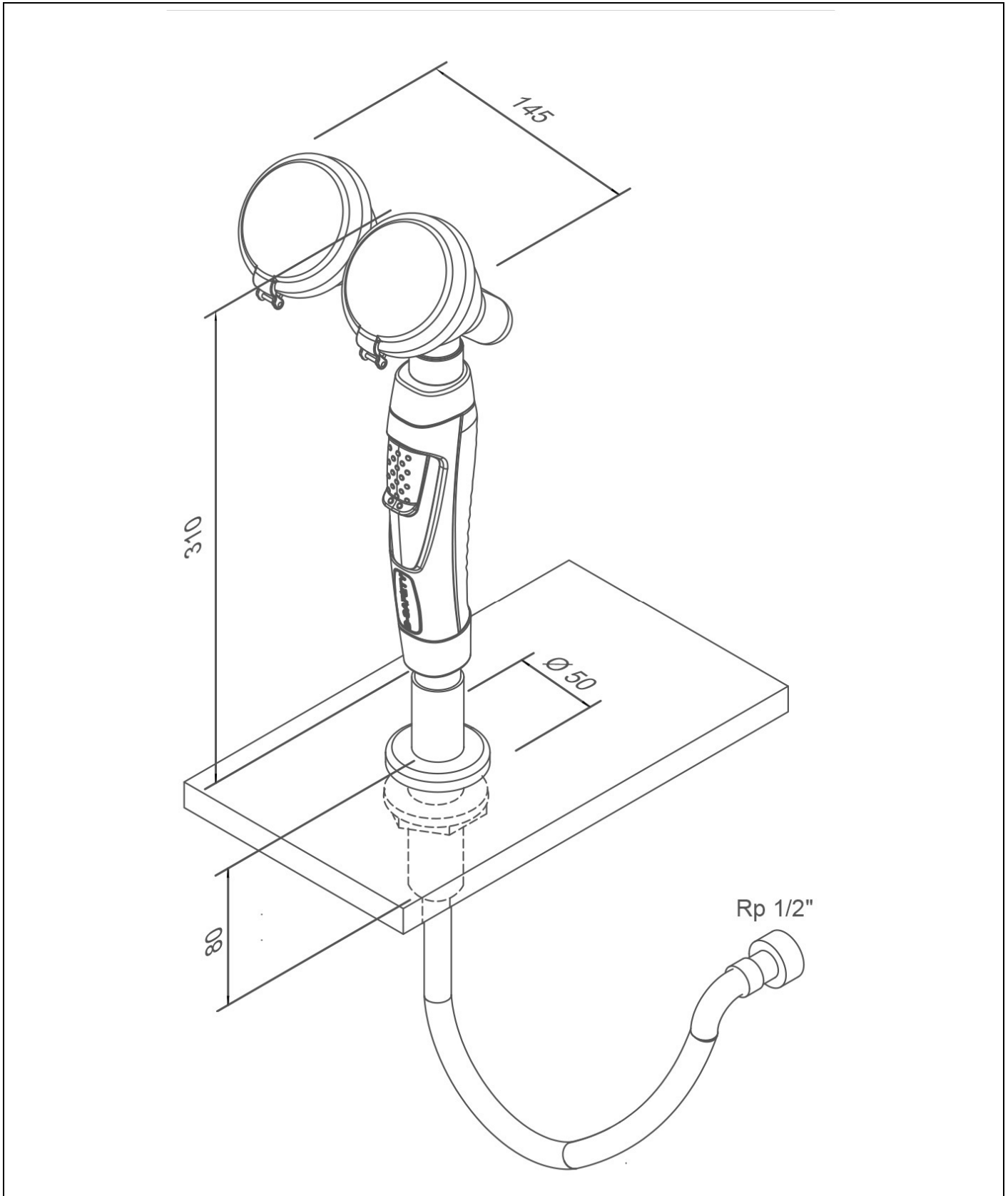


BR 714 020

ClassicLine hand-held eye shower with two spray heads 45°, table mounted



Technical description

ClassicLine hand-held eye shower with two spray heads 45°, table mounted

- ergonomically shaped handle with integrated, adjusting activation made of plastics, valve not self-closing
- high-performance spray heads for large-scale dispersion of water, 45° angled, with plastic spray plate, largely free of calcification, with rubber sleeves and sealed dust caps
- integrated flow regulation 14 litre / minute for a standard-compliant jet pattern at a specified working range of 2.5 to 5 bar flow pressure
- integrated backflow preventer to protect the drinking water
- stainless steel covered hose, length 1.5 meter, water inlet 1/2" female, DIN-DVGW tested and certificated
- table mounting accessories M28x1,5x80mm made of stainless steel, incl. fastening-parts kit with nut M28x1,5mm and 2 screws M5 for mounting difficult to access, rosette plastic, green, sealing to table surface with O-Ring
- sign for eye shower according to EN ISO 7010 und ASR A1.3, self-adhesive PVC-film, 100 x 100 mm, viewing distance 10 metre
- mounting height 700 mm (± 200 mm)
- according to BGI/GUV-I 850-0, DIN 1988 and EN 1717
- according to ANSI Z358.1-2014 and EN 15154-2:2006
- DIN-DVGW tested and certificated

Manufacturer: B-SAFETY or equal
 Article-No.: BR 714 020

Technical specifications

Material:	brass, plastic
Color:	grey, green, orange
Operating pressure:	2.5 to 5 bar
Flow rate:	14 l/min
Water inlet:	1/2" female
Dimensions (H x W):	310 x 145 mm
Hose:	stainless steel covered hose, length 1500 mm
High-performance spray head:	plastic
Flow regulation:	automatic flow regulator (14 l/min)
Drinking water protection:	integrated backflow preventer

Norm conformity

- EN 15154-2:2006
- ANSI Z358.1-2014


Approvals

- DIN-DVGW, DVGW, NW-0417CL0263
- GOST-R, Zertifikats-Nr. 0615463

Material-overview	Material	Material description
water-bearing parts:	Dezincification-resistant, DZR brass	CW724R
high-performance spray head:	POM plastic	-
shaped handle:	plastic	-
flow regulator:	POM plastic	-
hose cover:	stainless steel	AISI 304
hose fittings:	brass	CW617N, CW614N
table mounting:	brass, plastic	-
sign for eye shower:	PVC film	-

Product overview	
BR 714 020	ClassicLine hand-held eye shower with two spray heads 45°, table mounted

Accessories for hand-held showers

Product overview	Model	Material	Water inlet	Water outlet	Article-No.
	Maintenance ball valve for hand-held eye showers with removable trigger lever.	brass	1/2" female	1/2" male	BR 710 100
	Hose brake / hose weight for hand-held eye showers. Dimensions: 60 x 40 mm	-	-	-	BR 710 380
	Connection hose for eye showers, stainless steel covered, in different lengths: 1000 mm => BR710410 1500 mm => BR710415 2000 mm => BR710420 3000 mm => BR710430	stainless steel	1/2" female	1/2" female	BR 710 410 BR 710 415 BR 710 420 BR 710 430
	Connection hose for eye showers, stainless steel covered. With an additional transparent PVC sheath for easy cleaning.	stainless steel / PVC	1/2" female	1/2" female	BR 710 475
	Flow switch for eye showers, protection degree IP 65, electrical supply with 1.5 m cable.	brass	1/2" female	1/2" female	BR 710 810
	Thermostatic mixing valve for eye showers, adjustment range 20 - 43°C, scald protection 43°C, flow rate max. 20 l/min.	brass	1/2" male and 3/4" male	1/2" male and 3/4" male	BR 710 940
	ClassicLine alarm system for eye showers & safety showers with siren-/flashlight combination. Prewired junction box inclusive electronic switch. Electrical supply: 230 V - 50 Hz	-	-	-	BR 015 800