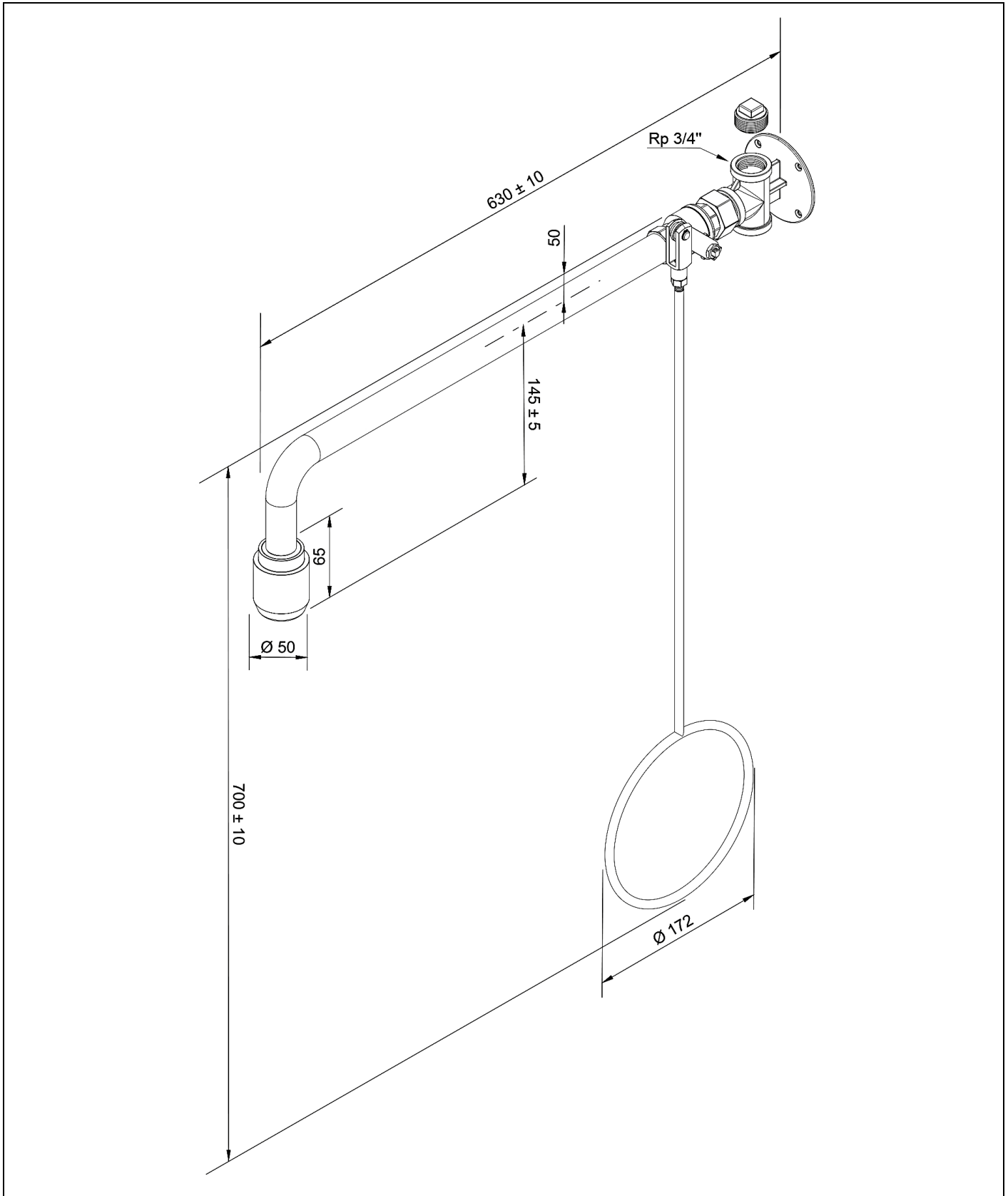


**BR 082 095 PremiumLine body safety shower, wall mounted, exposed pipework**



**Technical description**

PremiumLine body safety shower, wall mounted, exposed pipework

- wall flange 3-fold of stainless steel with 2 connections for integration into a circulation pipe, mounting plate made of stainless steel with 4 mounting holes, polished, water inlet 3/4" female
- plug 3/4" with stainless steel
- connection piece made of stainless steel, for quick on-site installation and easy alignment of the shower arm
- ball valve 3/4" stainless steel, with quick connect system, pull rod actuation, DIN-DVGW tested and certificated
- pull rod with ring handle of stainless steel, polished, length 700 mm
- wall shower arm 3/4" of stainless steel, polished, projection 630 mm
- integrated automatic flow regulator 50 litres / minute for a standard-compliant spray pattern at a specified working range of 1.5 to 3 bar flow pressure
- high-performance shower head of stainless steel, polished, with improved spray pattern, corrosion resistant, largely calcification- and maintenance-free, very robust, self-draining
- sign for body safety shower according to EN ISO 7010 und ASR A1.3, self-adhesive PVC-film, 150 x 150 mm, viewing distance 15 metre
- mounting height 2345 mm (± 100 mm)
- according to BGI/GUV-I 850-0, DIN 1988 and EN 1717
- according to ANSI Z358.1-2014, EN 15154-1:2006 and EN 15154-5:2019
- DIN-DVGW tested and certificated

Manufacturer: B-SAFETY or equal  
 Article-No.: BR 082 095

**Technical specifications**

Minimum flow pressure: 1.5 bar  
 Operating pressure: 1.5 to 3 bar  
 Flow rate: 50 l/min  
 Water inlet: 3/4" female  
 Dimensions (H x W x D): 700 x 86 x 630 mm

**Norm conformity**

- EN 15154-1:2006  
 - EN 15154-5:2019  
 - ANSI Z358.1-2014

**Approvals**

- DIN-DVGW, DVGW, NW-0416CL0425

**Material overview**

**Material**

**Material description**

High-performance shower head:	stainless steel	AISI 316
Ball valve:	stainless steel	AISI 316
Flow regulator:	plastic POM	-
Piping:	stainless steel	AISI 316
Pull rod with ring handle:	stainless steel	AISI 316
Wall flange, plug:	stainless steel	AISI 316
Sign for body safety shower:	PVC-foil	-

[www.b-safety.com](http://www.b-safety.com)

<b>Product overview</b>	
<b>BR 082 095</b>	PremiumLine body safety shower, wall mounted, exposed pipework - flow rate 50 l/min (hazard class I according to EN 15154-5:2019)
<b>BR 082 095 / 75L</b>	PremiumLine body safety shower, wall mounted, exposed pipework - flow rate 75 l/min / 20 GPM (hazard class II according to EN 15154-5:2019)
<b>BR 082 095 / 110L</b>	PremiumLine body safety shower, wall mounted, exposed pipework - flow rate 110 l/min (hazard class III according to EN 15154-5:2019)