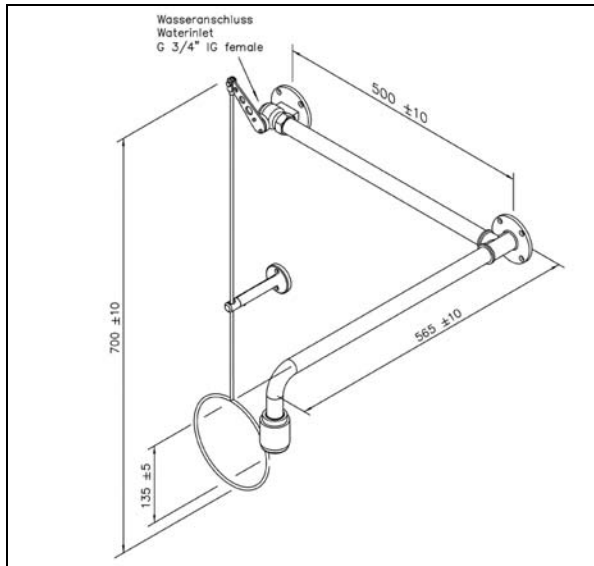


ClassicLine body safety shower with valve, above door installation, exposed pipework



- shower arm 3/4" made of brass, chemical resistant powder coated, projection 565 mm
- wall flange 3/4" made of brass, chemical resistant powder coated
- connecting pipe 3/4" made of brass, chemical resistant powder coated, length 500 mm
- ball valve 3/4" made of stainless steel on wall flange, with pull rod, optional left or right of the door mountable, DIN-DVGW tested and certificated, water inlet 3/4" female
- pull rod made of steel, chemical resistant powder coated, length 700 mm
- holder for pull rod made of brass, chemical resistant powder coated
- high-performance shower head made of chemical resistant plastics, with improved spray pattern, corrosion resistant, largely scale and maintenance-free, very robust, self-draining
- integrated automatic flow regulation 50 l/min. for a spray pattern acc. to the norms at a specified operating range of 1.5 to 3 bar dynamic water pressure
- sign for body safety shower according to DIN 4844-2-D and BGV A8, self-adhesive 150 x 150 mm
- installation height 2335 mm (+/- 100 mm)
- according to DIN EN 15154-1:2006
- according to DIN 12899-3:2009 and ANSI Z358.1-2004
- DIN-DVGW tested and certificated

Manufacturer: B-SAFETY or equal

**Article-No.:** BR 084 075 powder coated RED  
 BR 084 085 powder coated GREEN