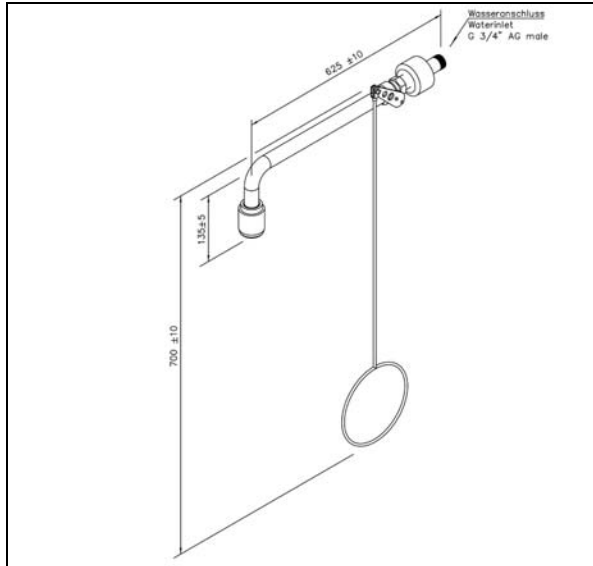


PremiumLine body safety shower with valve, wall mounted



- shower arm 3/4" made of stainless steel, polished, projection 625 mm, water inlet 3/4" male
 - push-on rosette made of polyamide to cover the installation
 - ball valve 3/4" made of stainless steel, with pull rod, DIN-DVGW tested and certificated
 - pull rod made of stainless steel, polished, length 700 mm
 - high-performance shower head made of stainless steel, polished, with improved spray pattern, corrosion resistant, largely scale and maintenance-free, very robust, self-draining
 - integrated automatic flow regulation 50 l/min. for a spray pattern acc. to the norms at a specified operating range of 1.5 to 3 bar dynamic water pressure
 - sign for body safety shower according to DIN 4844-2-D and BGV A8, self-adhesive 150 x 150 mm
 - installation height 2335 mm (+/- 100 mm)
 - according to DIN EN 15154-1:2006
 - according to DIN 12899-3:2009 and ANSI Z358.1-2004
 - DIN-DVGW tested and certificated
- Manufacturer: B-SAFETY or equal
Article-No.: BR 081 095 STAINLESS STEEL